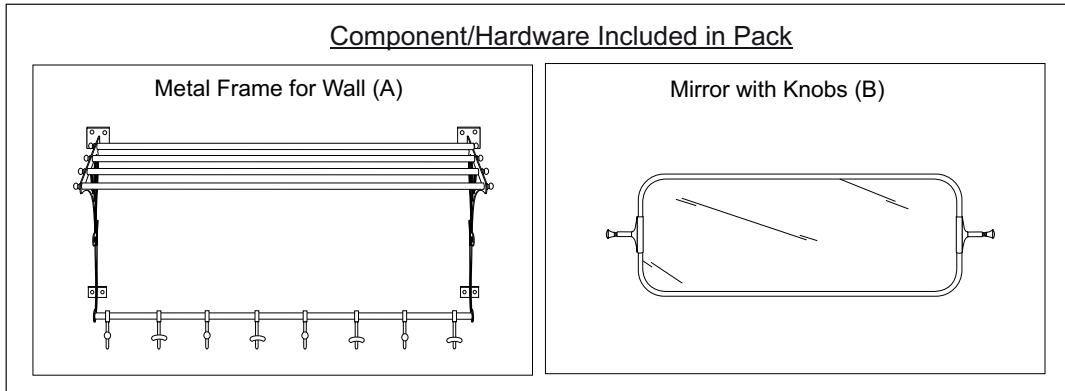


ASSEMBLY INSTRUCTIONS

RACK W/MIRROR

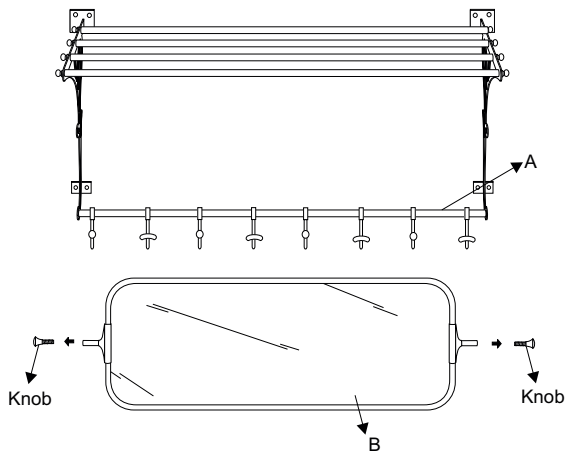
3825

Component/Hardware Included in Pack



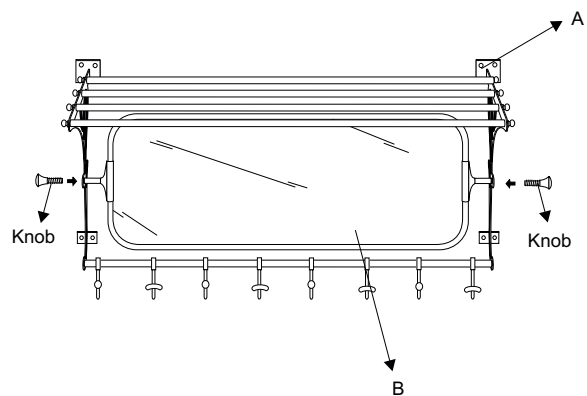
Step -1

Place Metal frame (A) on a flat surface unscrew the knobs with the Mirror (B)



Step -2

Place the Mirror Frame(B) over the Metal Frame (A) and tightly screw with the help of Knobs (As shown in Pic.)



ASSEMBLED PRODUCT

