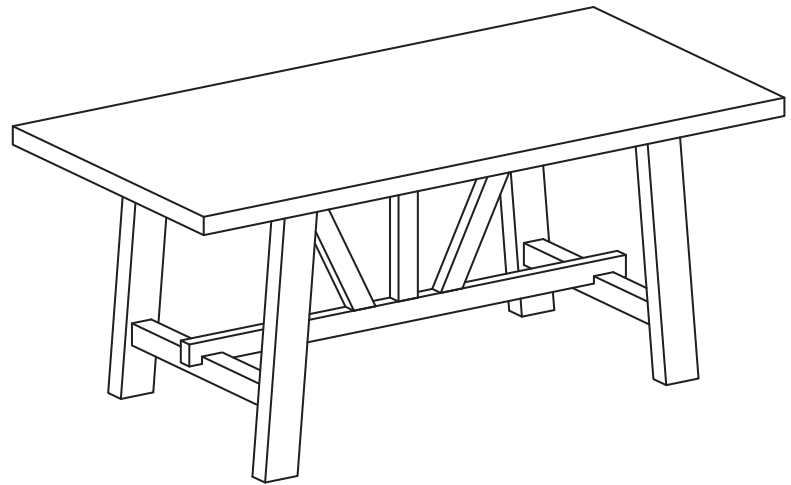
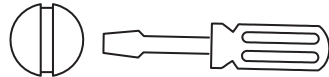
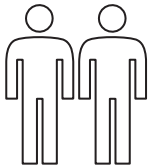

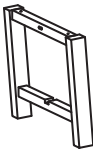
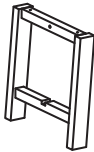
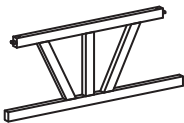


Important! Please Keep These Instructions For Future Reference

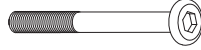






Fittings and parts checklist

When unpacking, please be careful not to discard any parts with the packaging. Before continuing, please make sure you have the following parts:

1		x 1
2		x 1
3		x 1
4		x 1

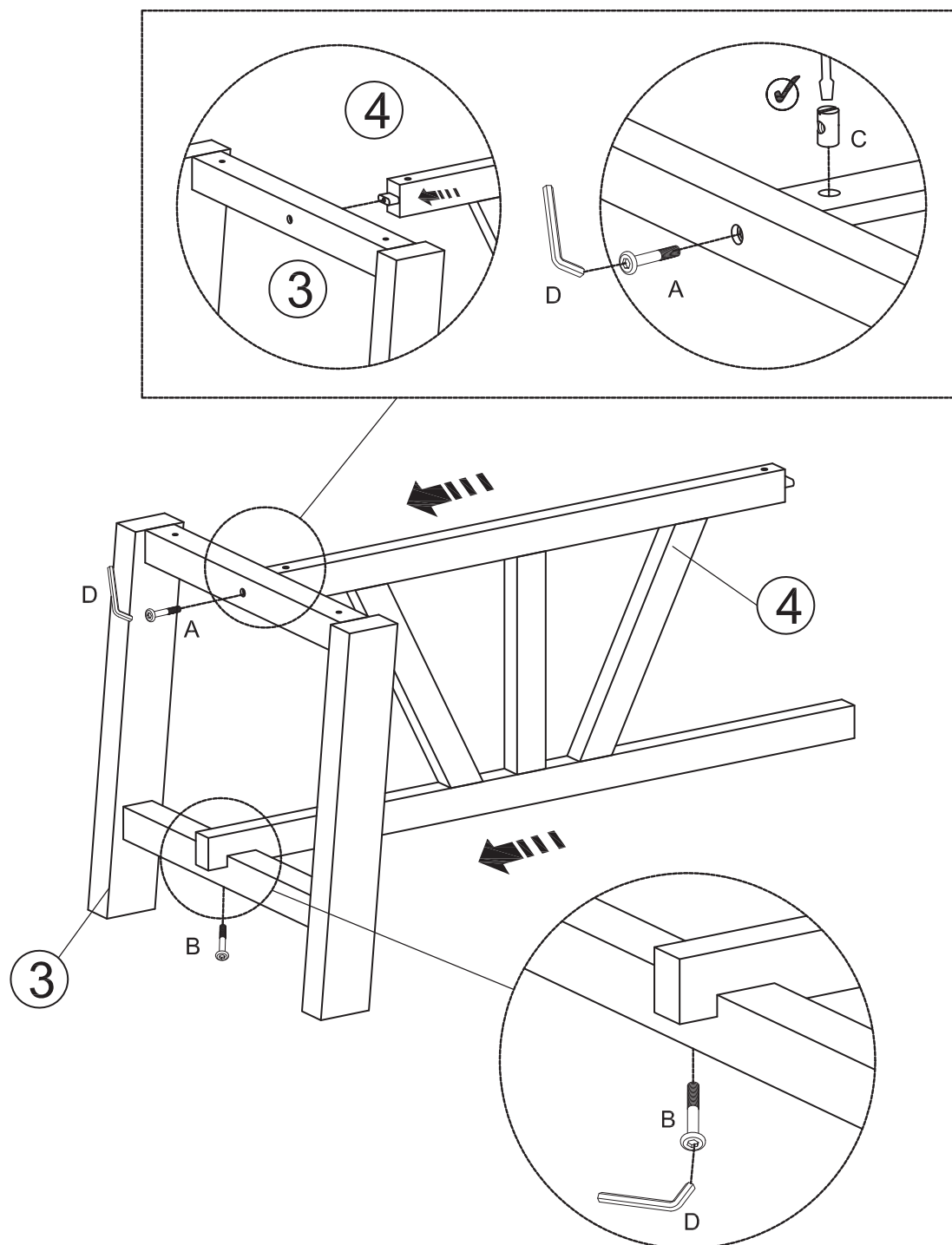
Fittings

A	 Ø6 x 100	x 2
B	 Ø6 x 55	x 2
C		x 2
D		x 2
E	 Ø6 x 80	x 4

Important! Please Keep These Instructions For Future Reference

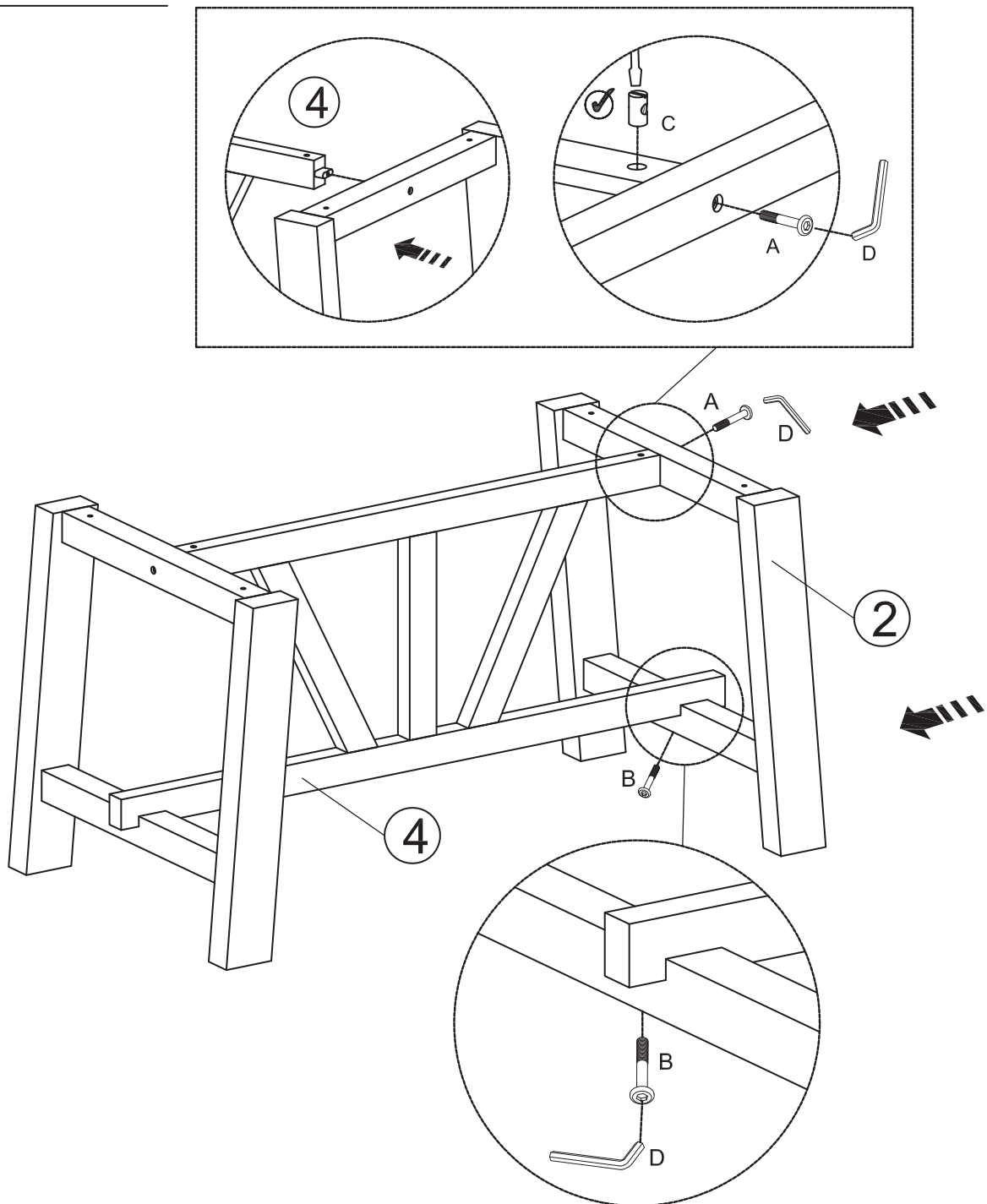
BEFORE ASSEMBLY: *place the contents on a carpeted or padded area to protect them from damage.*

Step 1:



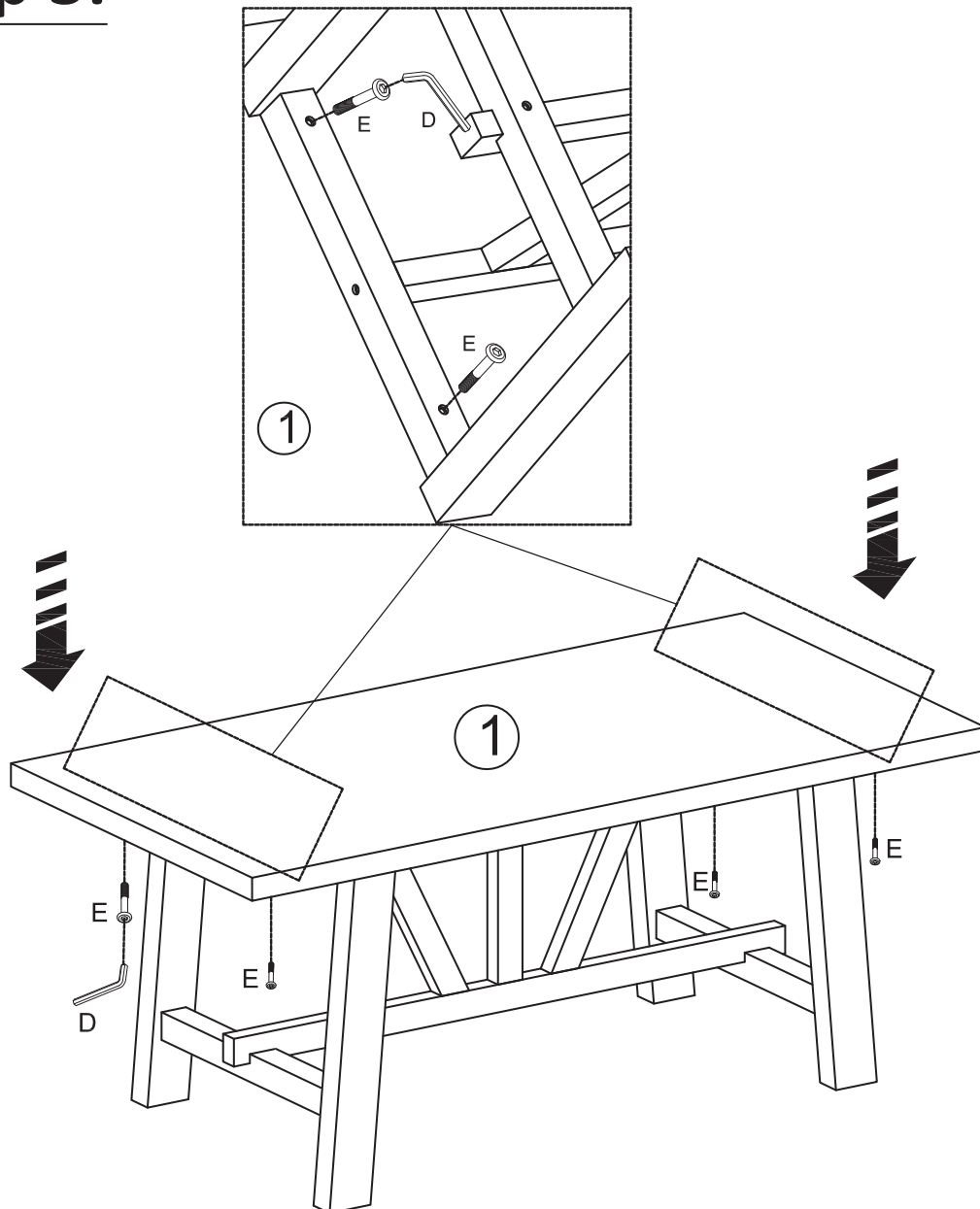
Important! Please Keep These Instructions For Future Reference

Step 2:



Important! Please Keep These Instructions For Future Reference

Step 3:



CLEANING & CARE:

For daily care, wipe with a soft dry cloth. Wipe spills with a clean dry cloth. Avoid the use of harsh cleaners and abrasives. Store indoors during long periods of inclement weather. Cover furniture with outdoor covers, when left outside during inclement weather or when not in use.