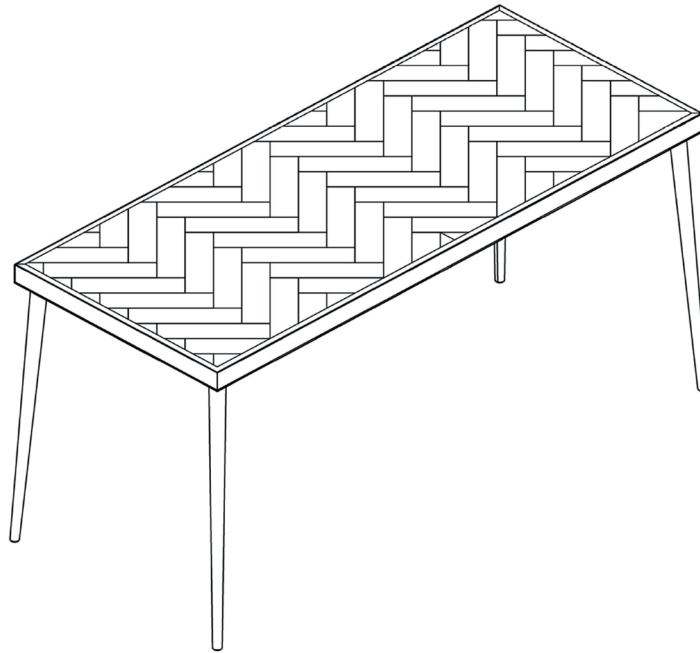
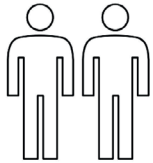
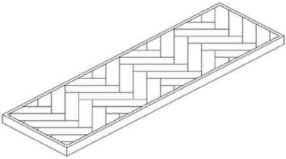



Important! Please Keep These Instructions For Future Reference






Fittings and parts checklist

When unpacking, please be careful not to discard any parts with the packaging. Before continuing, please make sure you have the following parts:

1		X1
2		X4

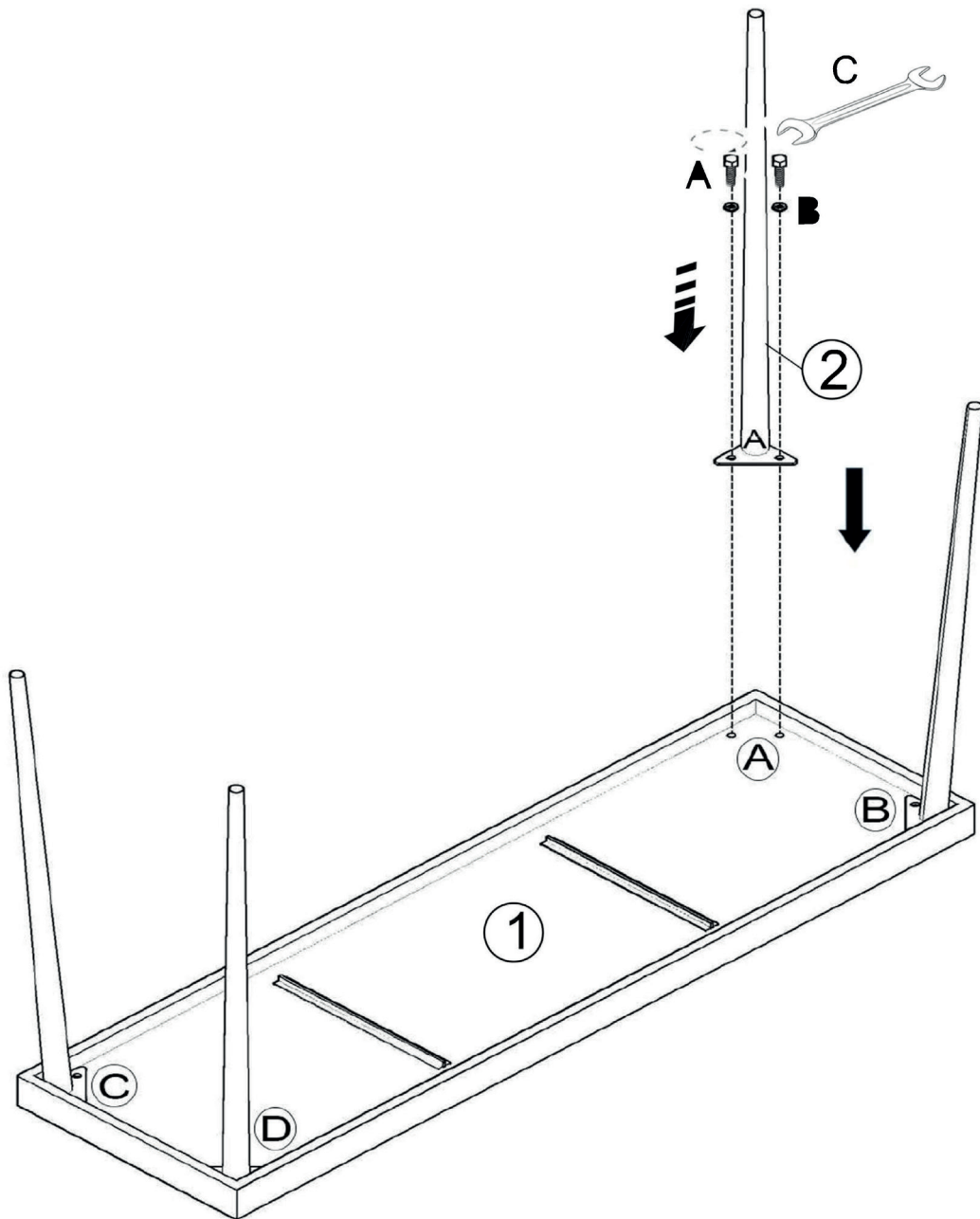
Fittings

A		x 8
B		x 8
C		x 1

Important! Please Keep These Instructions For Future Reference

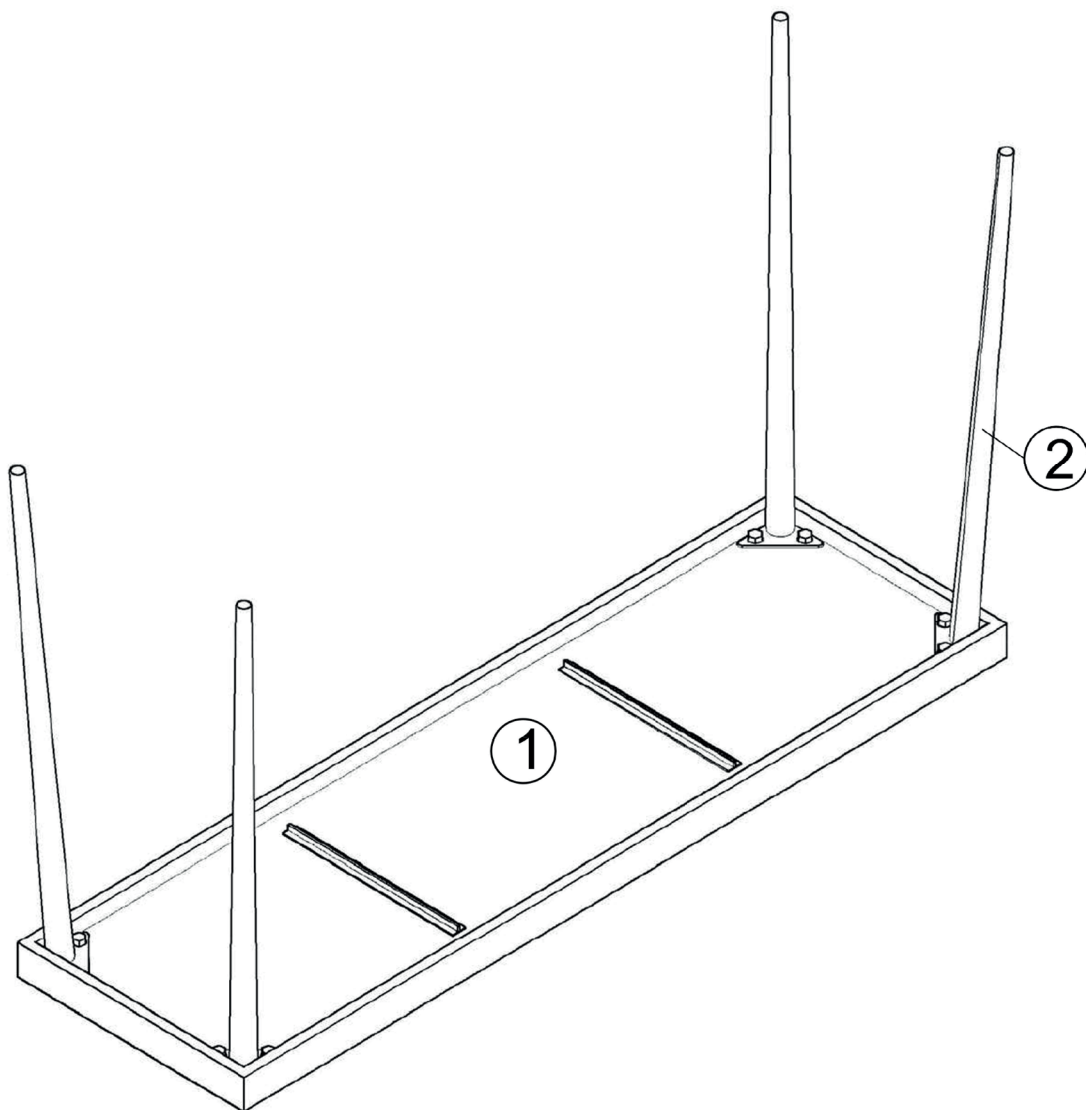
BEFORE ASSEMBLY: *place the contents on a carpeted or padded area to protect them from damage.*

Step 1:

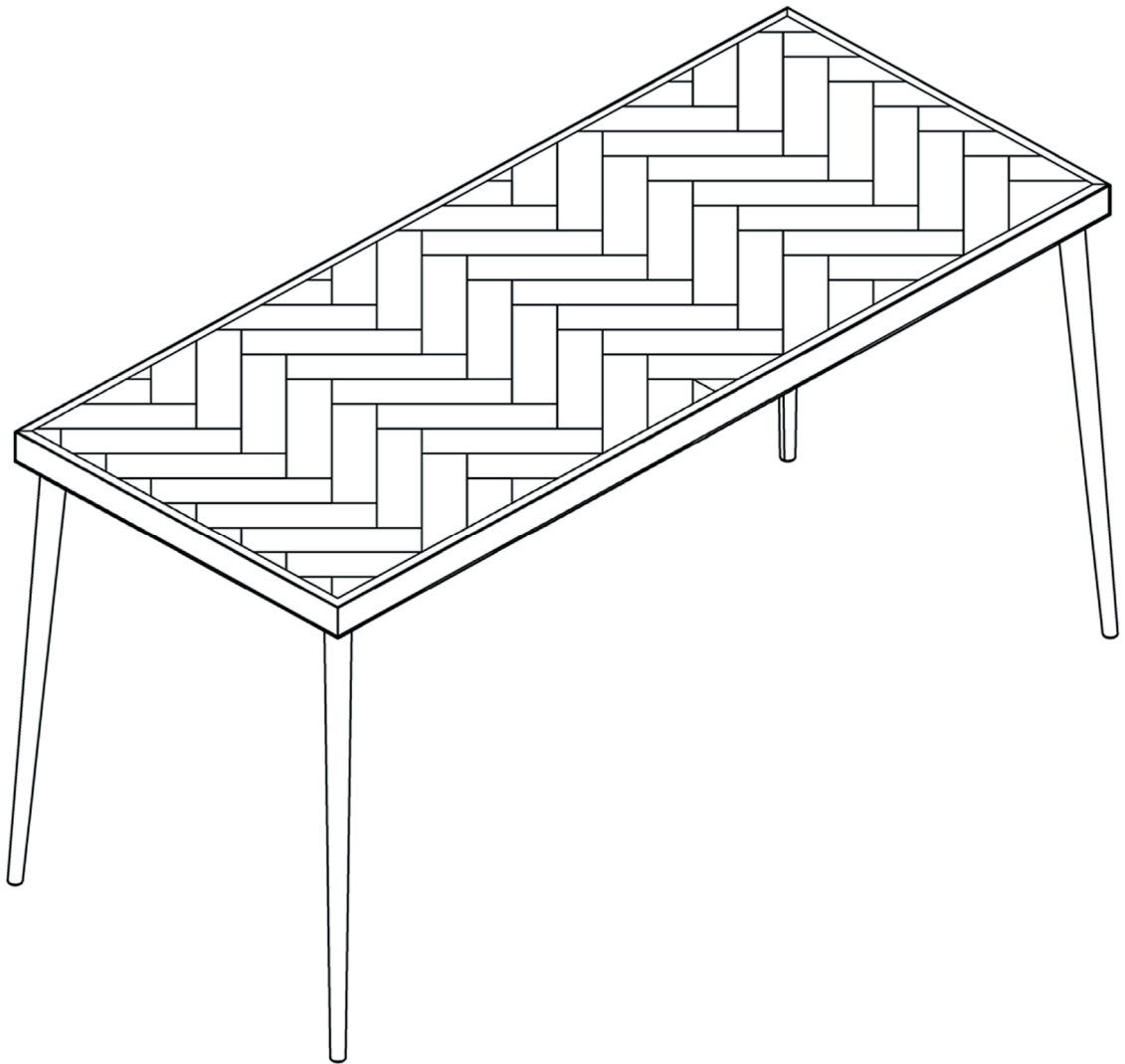


Important! Please Keep These Instructions For Future Reference

Step 2:



Important! Please Keep These Instructions For Future Reference



CLEANING & CARE:

For daily care, wipe with a soft dry cloth. Wipe spills with a clean dry cloth. Avoid the use of harsh cleaners and abrasives.