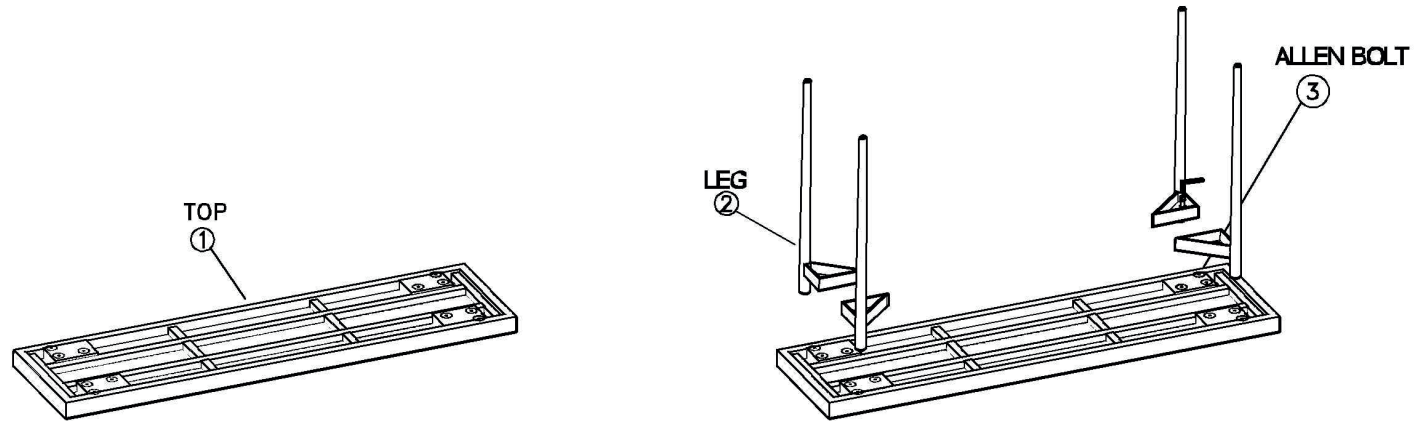
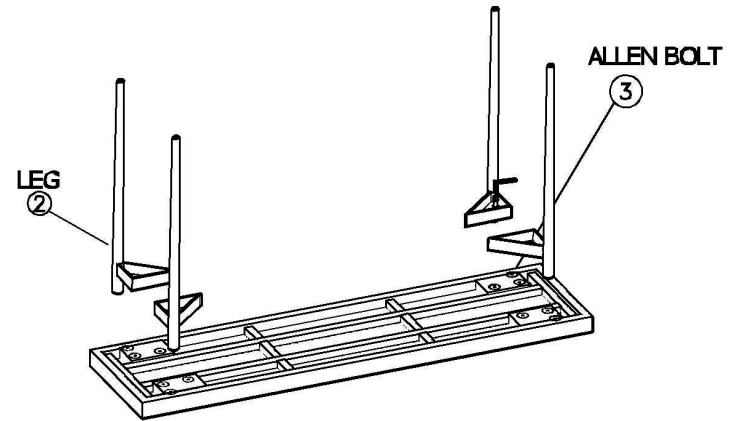


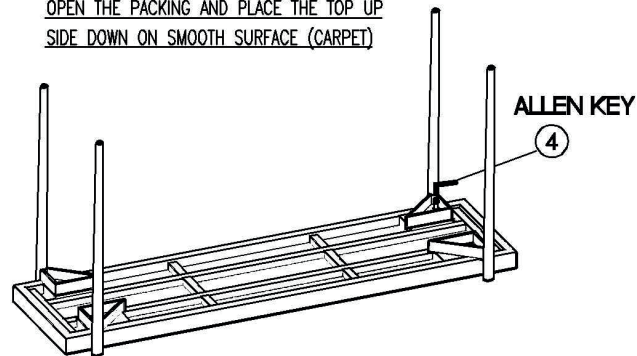
ASSEMBLY INSTRUCTIONS



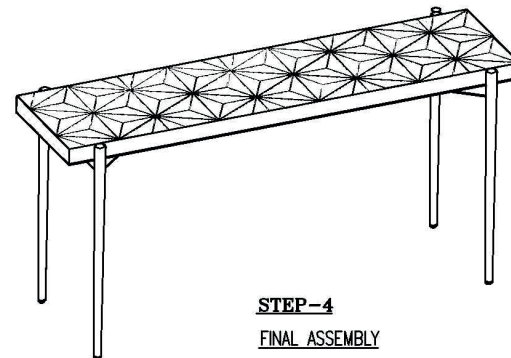
STEP-1
OPEN THE PACKING AND PLACE THE TOP UP
SIDE DOWN ON SMOOTH SURFACE (CARPET)



STEP-2
PLACE THE LEGS ON THE CENTER



STEP-3
USE THE ALLEN KEY TO SCREW THE ALLEN BOLT



STEP-4
FINAL ASSEMBLY

4	ALLEN KEY	01
3	ALLEN BOLT WITH WASHER	12
2	LEG	04
1	TABLE TOP	01
ITEM NO.	DESCRIPTION	QTY.

ASSEMBLY INSTRUCTIONS
ASHTON CONSOLE