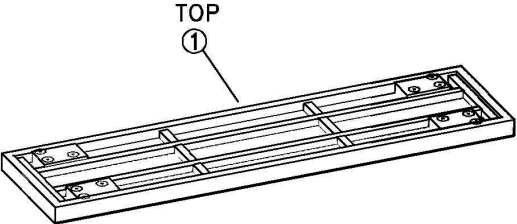
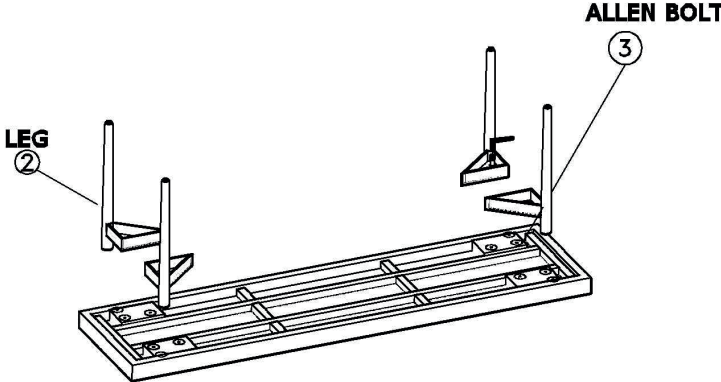


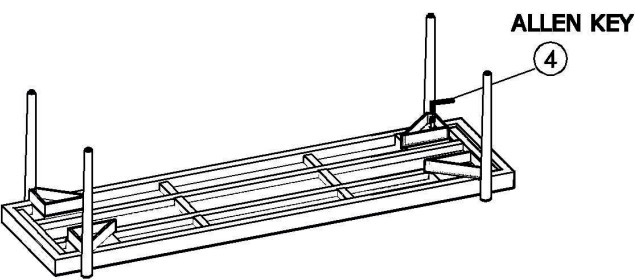
## ASSEMBLY INSTRUCTIONS



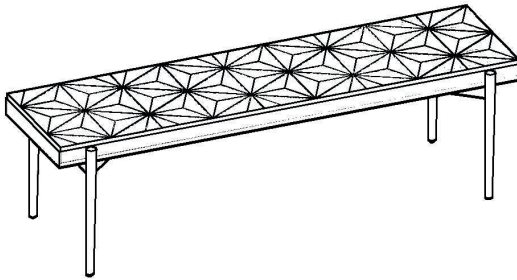
**STEP-1**  
OPEN THE PACKING AND PLACE THE TOP UP  
SIDE DOWN ON SMOOTH SURFACE (CARPET)



**STEP-2**  
PLACE THE LEGS ON THE CENTER



**STEP-3**  
USE THE ALLEN KEY TO SCREW THE ALLEN BOLT



**STEP-4**  
FINAL ASSEMBLY

ITEM NO.	DESCRIPTION	QTY.
4	ALLEN KEY	01
3	ALLEN BOLT WITH WASHER	12
2	LEG	04
1	TABLE TOP	01

**ASSEMBLY INSTRUCTIONS**  
**ASHTON BENCH**